

MASI67 I/O MODULE K3

8 digital inputs, 8 digital, passive safety outputs

Digital inputs/outputs

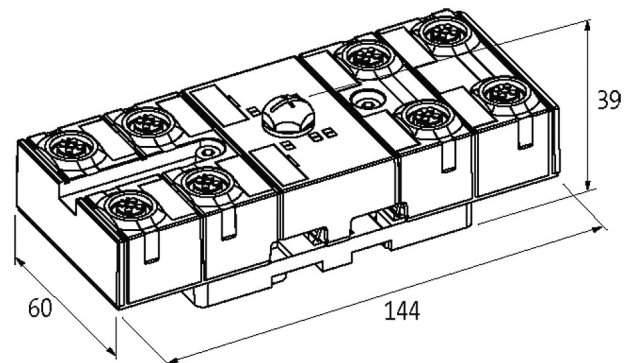
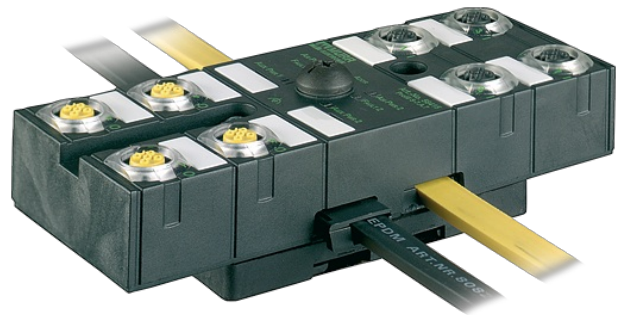
DI8 - 0.34 A DO8 - 1.6 A - 8× M12 (AB) (K3)

Output groups up to PLd (EN ISO 13849-1) can be switched off via safety relays

Double assignment of M12 females, PIN 2 + 4

Connection cables are in the online shop under "Connection Technology".

Housing fully potted.

Illustration

Product may differ from Image

Approvals**Input**

Type	for 3-wire sensors or mechanical switches, PNP
Sensor supply US	max. 340 mA from AS-Interface (short-circuit and overload protected)

Output

Supply voltage	24 V DC external (18...30.2 V DC) EN 61131-2, connection via black AS-Interface profile cable, 2 safely separated supplies possible
Switching current per output	max. 1.6 A (short-circuit and overload protected)
Total current	2× 4 A

General data

Protection	IP67
------------	------

Mounting method	DIN-rail mountable (EN 60715) or screw fixing
Temperature range	-20...+60 °C (storage temperature -20...+70 °C)
Dimensions H×W×D	144×72×39 mm

Technical Data

Bus voltage (AS-Interface)	26.5...31.6 V DC
Total current	max. 440 mA
Addressing	via built-in address port or master
Address range	1...62 (2× 1...31 A or B)
Profile (IO/ID/ID2 code)	2× S-7.A.7
Double assignment of M12 female	yes

Diagnostic

Communication status	via LED
Diagnostic via LED	per module
Monitoring - no voltage	yes

Commercial data

country of origin	DE
customs tariff number	85176200
EAN	4048879048989
eClass	27371604
Packaging unit	1